

- NOTES:**
1. THIS STANDARD DETAIL SHOWS TYPICAL INSTALLATION. SEE SIGNAL PLAN SHEETS FOR QUANTITY OF SIGNAL AND LIGHTING COMPONENTS TO BE INSTALLED.
 2. ORIENTATION OF SIGNAL COMPONENTS SHALL BE AS SHOWN, UNLESS OTHERWISE SPECIFIED ON THE SIGNAL PLAN SHEETS.
 3. SEE ACHD DETAIL TS-1110.01 FOR FOUNDATION DETAILS.
 4. ALL SIGNAL COMPONENTS SHALL BE LEVELED AFTER THE POLE HAS BEEN PLUMBED.
 5. THE SPECIFIC LOCATION OF EACH POLE SHALL BE AS INDICATED ON THE SIGNAL PLAN SHEETS. POLE LOCATIONS SHALL BE VERIFIED BY ACHD PRIOR TO FOUNDATION INSTALLATION.
 6. ALL SIGNALS SHALL COMPLY WITH THE MOST RECENTLY ADOPTED EDITION OF THE MANUAL ON UNIFORM TRAFFIC CONTROL DEVICES (MUTCD).
 7. PED PUSH BUTTONS SHALL BE INSTALLED PER THE MANUFACTURER'S RECOMMENDATIONS, IN COMPLIANCE WITH THE AMERICANS WITH DISABILITIES ACT (ADA), AND THE MOST RECENTLY ADOPTED EDITION OF THE MUTCD.

NO.	DATE	BY	DESCRIPTION
1/20	200		Modified ped push button notes
11/11	200		Added HAWK signal head installation

REVISIONS



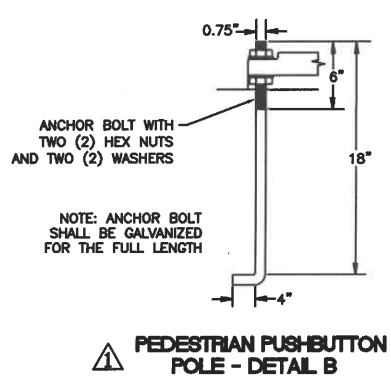
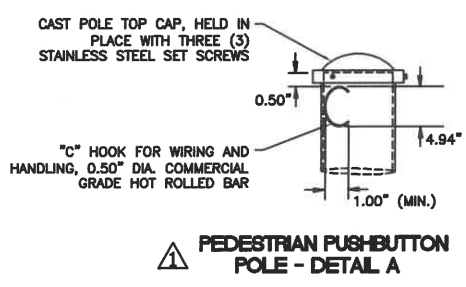
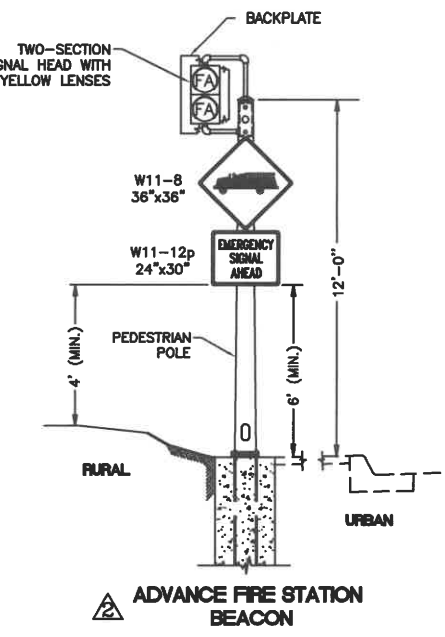
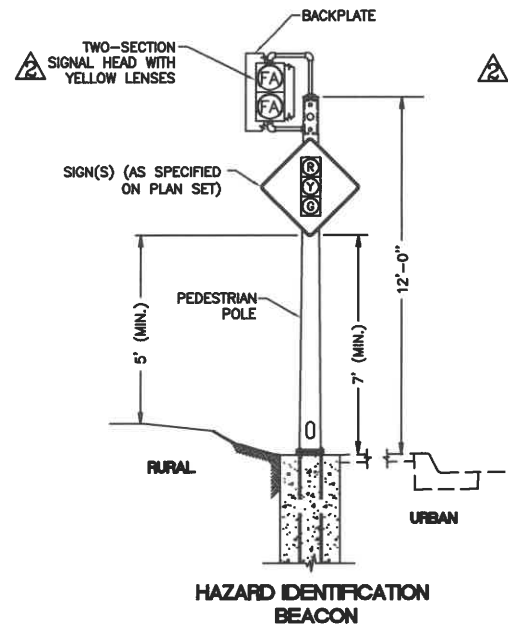
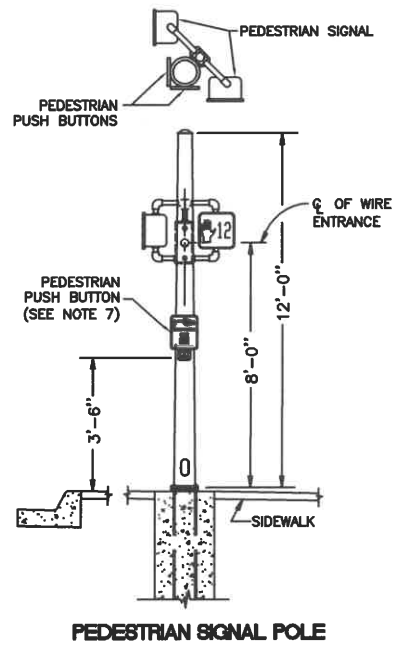
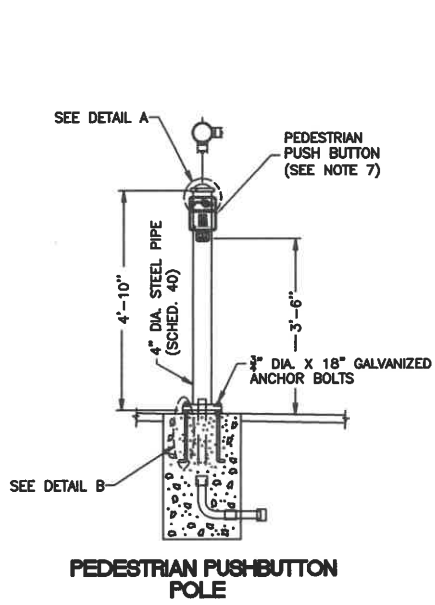
SIGNATURES	
Scale: NTS	Drawn By: Justina Beak
Date: 10/19/2011	Design By: Justina Beak
File: TS-1106.01.DWG	Approved By: Greg Pullerton

SHEET TITLE
Standard Traffic Signal Mast Arm and Pole Details

1/24/2020

PROFESSIONAL ENGINEER
REGISTERED
12842
JOSHUA E. BEAK
STATE OF IDAHO

STANDARD DETAIL NO.
TS-1106.01
Sheet 1 of 3



- NOTES:**
1. THIS DRAWING SHOWS TYPICAL INSTALLATION DETAILS ONLY. SEE PLAN SHEETS FOR QUANTITY AND LOCATION OF SIGNAL AND LIGHTING COMPONENTS TO BE INSTALLED.
 2. ORIENTATION OF SIGNAL COMPONENTS SHALL BE AS SHOWN UNLESS OTHERWISE SPECIFIED ON THE PLAN SHEETS.
 3. SEE ACHD STANDARD DRAWING TS-1110.01 FOR FOUNDATION DETAILS.
 4. ALL SIGNAL COMPONENTS SHALL BE LEVELED AFTER THE POLE HAS BEEN PLUMBED.
 5. SPECIFIC LOCATION OF EACH POLE INSTALLATION SHALL BE AS INDICATED ON THE PROJECT PLAN SHEETS. THE LOCATION SHALL BE FIELD VERIFIED BY ACHD PRIOR TO FOUNDATION INSTALLATION.
 6. ALL CONDUIT ELBOWS USED IN CONCRETE BASES SHALL BE RPC.
 7. PED PUSH BUTTONS SHALL BE INSTALLED PER THE MANUFACTURER'S RECOMMENDATIONS AND IN COMPLIANCE WITH THE AMERICANS WITH DISABILITIES ACT (ADA).

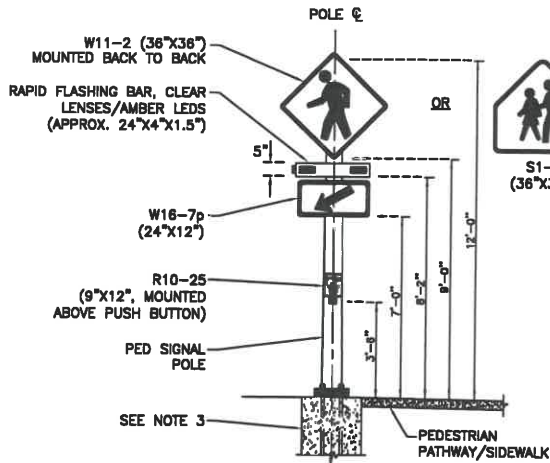
NO.	DATE	BY	DESCRIPTION
1/30	ZBS		Modified ped push button notes
2/16	ZBS		Added advance fire station beacon details
11/11	ZBS		Modified beacon details, added ped pole details



SIGNATURES		SHEET TITLE	
Scale: NYS	Drawn By: Jonathan Blank	Standard Pedestrian Signal Pole and Hazard Beacon Details	
Date: 10/16/2011	Design By: Jonathan Blank		
File: TS-1100.02.DWG	Approved By: Bruce Gywn		

1/24/2020

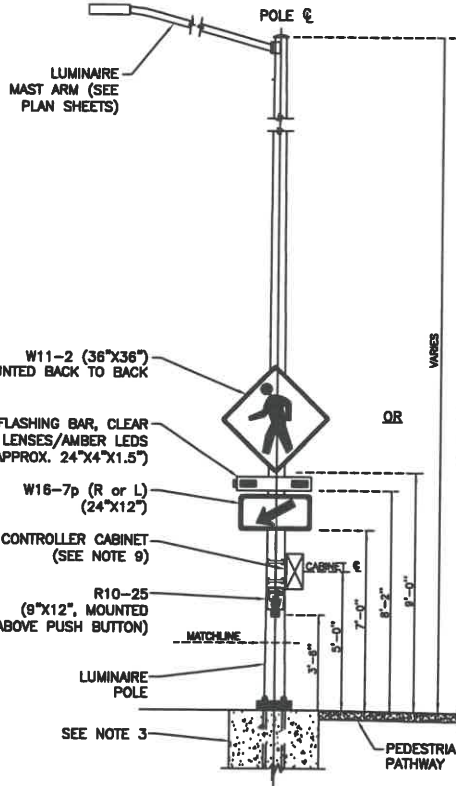
STANDARD DETAIL NO. TS-1106.02



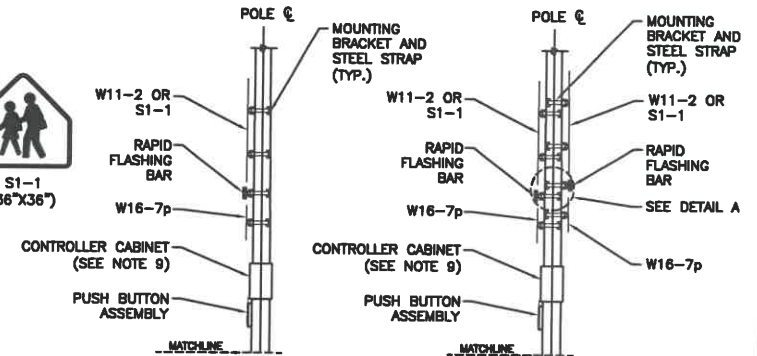
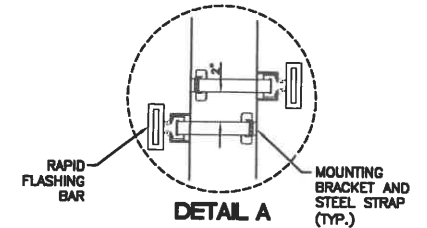
RECTANGULAR RAPID FLASHING BEACON, PEDESTRIAN POLE MOUNT

NOTES:

1. THIS DRAWING SHOWS TYPICAL INSTALLATION DETAILS ONLY. SEE PLAN SHEETS FOR QUANTITY AND LOCATION OF SIGNAL AND LIGHTING COMPONENTS TO BE INSTALLED.
2. ORIENTATION OF SIGNAL COMPONENTS SHALL BE AS SHOWN UNLESS OTHERWISE SPECIFIED ON THE PLAN SHEETS.
3. SEE ACHD STANDARD DRAWING TS-1110.01 FOR FOUNDATION DETAILS.
4. ALL SIGNAL COMPONENTS SHALL BE LEVELED AFTER THE POLE HAS BEEN PLUMBED.
5. SPECIFIC LOCATION OF EACH POLE INSTALLATION SHALL BE AS INDICATED ON THE PROJECT PLAN SHEETS. THE LOCATION SHALL BE FIELD VERIFIED BY ACHD PRIOR TO FOUNDATION INSTALLATION.
6. ALL CONDUIT ELBOWS USED IN CONCRETE BASES SHALL BE RPC.
7. SEE ACHD STANDARD DETAILS TS-1108 FOR PED PUSHBUTTON DETAILS. PED PUSHBUTTONS SHALL BE INSTALLED IN COMPLIANCE WITH THE AMERICANS WITH DISABILITIES ACT.
8. TERMINATE RRFB CONNECTIONS PER MANUFACTURER'S RECOMMENDATIONS.
9. CONTROL CABINET ENCLOSURES SHALL BE SIZED BY THE RRFB MANUFACTURER. CABINET LOCATION SHALL BE INSTALLED ACCORDING TO THE PROJECT PLAN SHEETS.



RECTANGULAR RAPID FLASHING BEACON, LUMINAIRE POLE MOUNT



SIDE VIEW, UNI-DIRECTIONAL

SIDE VIEW, BI-DIRECTIONAL

NO.	DATE	BY	REVISIONS



SIGNATURES	
Revised: JTB	Drawn By: Jonathan Banks
Date: 11/28/16	Design By: Jonathan Banks
File: TP-1106.03.RFP	Approved By: Steve Orem

SHEET TITLE	
Rectangular Rapid Flashing Beacon (RRFB) Details	

12/28/2016

STANDARD DETAIL NO. TS-1106.03
Sheet 3 of 3

12/28/2016 10:06:00 AM C:\Users\jebank\Documents\Projects\1106.03.RFP