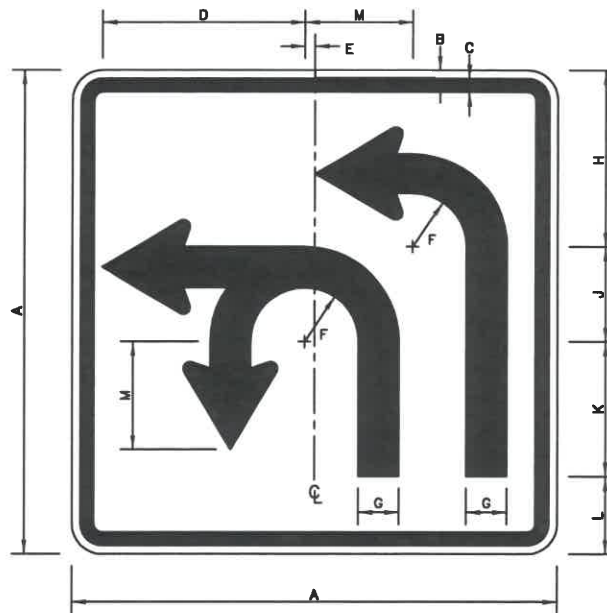


*SEE ARROWHEAD DETAIL BELOW FOR DESIGN SPECIFICS

| SIZE | DIMENSIONS (INCHES) | | | | | | | | | | |
|----------|---------------------|-----|-----|-------|-------|-------|---|--------|--------|-------|--|
| | A | B | C | D* | E* | F | G | H | J | K | |
| MINIMUM | 24 | 3/8 | 5/8 | 7 3/8 | 5 3/8 | 2 5/8 | 2 | 10 5/8 | 9 | 4 3/8 | |
| STANDARD | 36 | 5/8 | 7/8 | 11 | 8 | 4 | 3 | 16 | 13 1/2 | 6 1/2 | |

COLORS:
 Border and Arrows - BLACK
 Background - WHITE (Ref.)

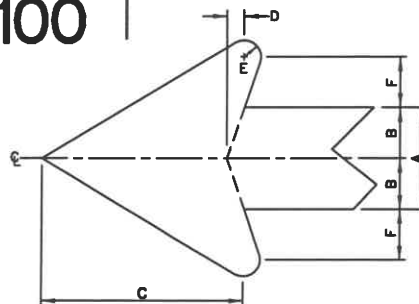
SR3-100



POLICY:
 LANE USE CONTROL SIGNS MAY BE USED AT SIGNALIZED INTERSECTIONS WITH SEPARATE TURN PHASES. THESE SIGNS MAY ALSO BE USED TO INDICATE THE TYPES OF MOVEMENTS PERMITTED AT MAJOR INTERSECTIONS.

SR3-101

| SIZE | DIMENSIONS (INCHES) | | | | | | | | | | | |
|----------|---------------------|-----|-----|----|-----|-------|---|---------|-------|---------|-------|--------|
| | A | B | C | D | E | F | G | H | J | K | L | M |
| MINIMUM | 24 | 3/8 | 5/8 | 10 | 1/2 | 2 5/8 | 2 | 8 15/16 | 4 3/4 | 6 11/16 | 3 5/8 | 5 5/16 |
| STANDARD | 36 | 5/8 | 7/8 | 15 | 3/4 | 4 | 3 | 13 1/4 | 7 | 10 | 5 3/4 | 8 |



| DIMENSIONS | | | | | |
|------------|--------|--------|--------|--------|--|
| B | C | D | E | F | |
| 0.500A | 2.030A | 0.155A | 0.200A | 0.650A | |

A = Width of shaft

STANDARD ARROWHEAD DETAIL FOR GUIDE AND REGULATORY SIGNS

12/19/2016



| NO. | DATE | BY | REVISIONS |
|-----|------|----|-----------|
| | | | |
| | | | |
| | | | |

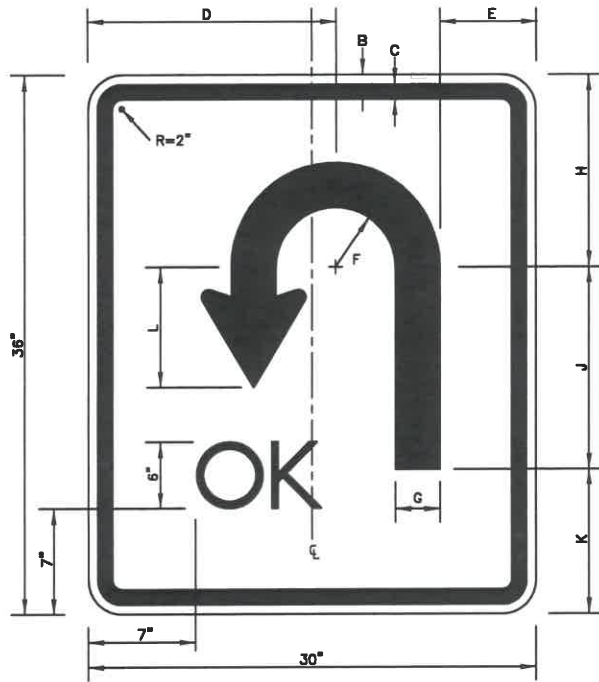


| SIGNATURES | | CHECK TITLE | |
|-------------------------|--|------------------------|--|
| Drawn By: Joshua Salk | | Special Sign Details - | |
| Design By: Joshua Salk | | U Turns | |
| Approved By: Steve Gynn | | | |

STANDARD DETAIL NO. TS-1115.01

Ada County Highway District

Sheet 1 of 4



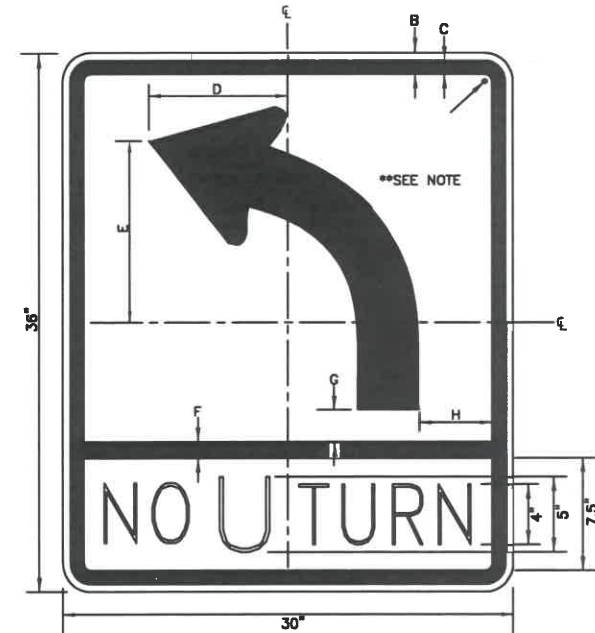
COLORS:
 Border and Legend - BLACK
 Background - WHITE (REFL.)

| SIZE | DIMENSIONS (INCHES) | | | | | | |
|----------|---------------------|------|------|-----|---|---|--|
| | B | C | D | E | F | G | |
| STANDARD | 0.5 | 0.75 | 16.5 | 6.5 | 4 | 3 | |

| SIZE | DIMENSIONS (INCHES) | | | | | |
|----------|---------------------|------|-----|---|--|--|
| | H | J | K | L | | |
| STANDARD | 13 | 13.5 | 9.5 | 8 | | |

POLICY:
 THE "U-TURN OK" SIGN CAN BE USED AT SIGNALIZED INTERSECTIONS WITH OR WITHOUT FLASHING YELLOW ARROWS TO INFORM MOTORISTS THAT A U-TURN IS PERMISSIBLE FROM THE GIVEN LANE.

SR3-102



COLORS:
 Border and Legend - BLACK
 Background - WHITE (REFL.)

| SIZE | DIMENSIONS (INCHES) | | | | | | | |
|----------|---------------------|------|------|-------|------|------|------|--|
| | B | C | D | E | F | G | H | |
| STANDARD | 1.25 | 0.75 | 9.25 | 11.25 | 0.75 | 2.25 | 4.75 | |

****REFER TO THE MOST RECENT EDITION OF THE "STANDARD HIGHWAY SIGNS" MANUAL FOR ARROW DIMENSIONS AND DETAILS**

POLICY:
 THE REGULATORY LEFT TURN SIGN WITH SUPPLEMENTAL "NO U-TURN" CAN BE USED AT SIGNALIZED INTERSECTIONS WITH OR WITHOUT FLASHING YELLOW ARROWS TO INFORM MOTORISTS THAT A U-TURN IS NOT PERMISSIBLE FROM THE LEFT TURN LANE.

**R3-5L
 (MOD)**

12/19/2016

| NO. | DATE | BY | DESCRIPTION |
|-----|------|----|-------------|
| | | | |
| | | | |
| | | | |

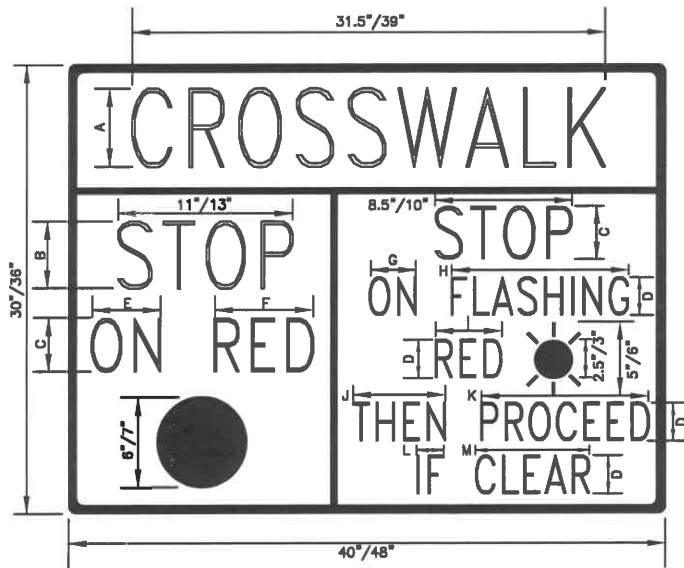


| - SIGNATURES - | |
|----------------------|------------------------|
| Scale: NYS | Drawn By: Judson Bank |
| Date: 10/17/18 | Design By: Judson Bank |
| File: TS-1115.02.DWG | Approved By: Russ Gynn |

- SHEET TITLE -
 Special Sign Details -
 U Turns



STANDARD ENGINEERING, INC.
 TS-1115.02



COLORS:
Border - BLACK

Legend (CROSSWALK) - WHITE (REFL.)
Background (CROSSWALK) - BLACK

Legend (STOP...) - BLACK
Background (STOP...) - WHITE (REFL.)

NOTES:

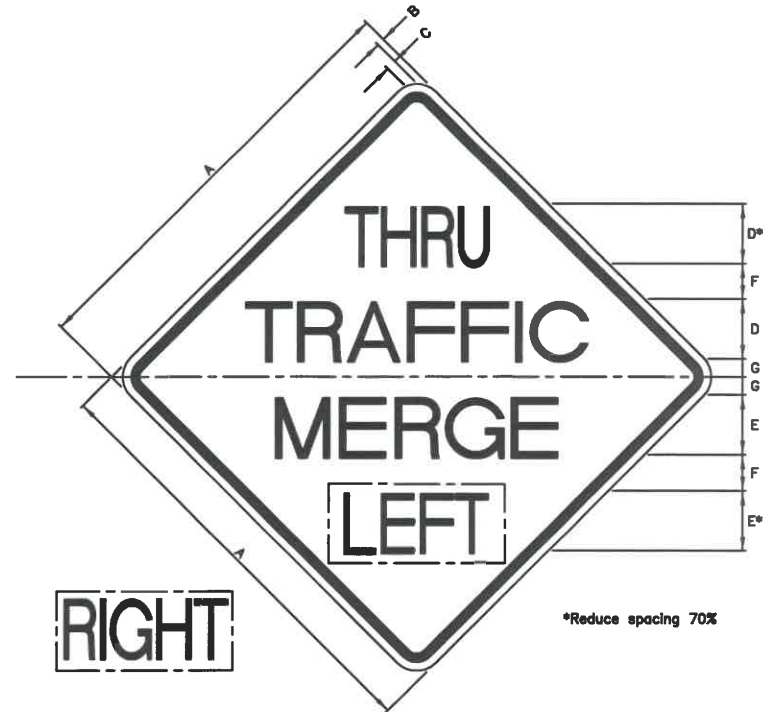
1. ALL FONTS ARE TO BE HIGHWAY GOTHIC "C".
2. FOR BACKGROUND, MATERIAL IS TO BE WHITE DIAMOND GRADE SHEETING.

| SIZE | CORNER RADIUS | DIMENSIONS (INCHES) | | | | | | | | | | | | |
|----------|---------------|---------------------|------|------|------|------|------|------|------|---|-----|----|------|------|
| | | A | B | C | D | E | F | G | H | I | J | K | L | M |
| STANDARD | 2 | 5.25 | 4.5 | 3.5 | 2.5 | 4.5 | 6.5 | 3.25 | 12.5 | 5 | 6.5 | 12 | 2.25 | 9.5 |
| LARGE | 3 | 6.25 | 5.25 | 4.25 | 3.25 | 5.25 | 7.75 | 4 | 15 | 6 | 8 | 14 | 2.5 | 11.5 |

**R10-23
(MOD)**

POLICY:

THE "CROSSWALK STOP ON RED" SIGN SHALL BE USED AT PEDESTRIAN HYBRID BEACONS TO INFORM MOTORISTS THAT THE FLASHING RED INDICATION INDICATES A DRIVER MAY PROCEED IF PEDESTRIANS HAVE COMPLETED CROSSING. THE "LARGE" SIGN SHOULD BE USED IN ALL APPLICATIONS UNLESS OTHERWISE APPROVED BY THE ACHD TRAFFIC ENGINEER.



COLORS:
Border and Legend - BLACK
Background - YELLOW (Refl.)

| SIZE | CORNER RADIUS | DIMENSIONS (INCHES) | | | | | | |
|----------|---------------|---------------------|-------|-------|----|----|---|-----|
| | | A | B | C | D | E | F | G |
| MINIMUM | 2.25 | 36 | 0.625 | 0.875 | 5D | 5E | 3 | 1.5 |
| STANDARD | 3 | 48 | 0.75 | 1.25 | 6D | 6E | 4 | 2 |

SW-101

POLICY:

THE "THRU TRAFFIC MERGE LEFT (RIGHT)" SIGN SHALL BE USED TO INFORM MOTORISTS THAT THE INSIDE OR OUTSIDE LANE IS BEING DROPPED AND THRU TRAFFIC MUST MERGE TO AVOID BEING TRAPPED IN A MANDATORY EXIT OR TURN LANE.

12/19/2016

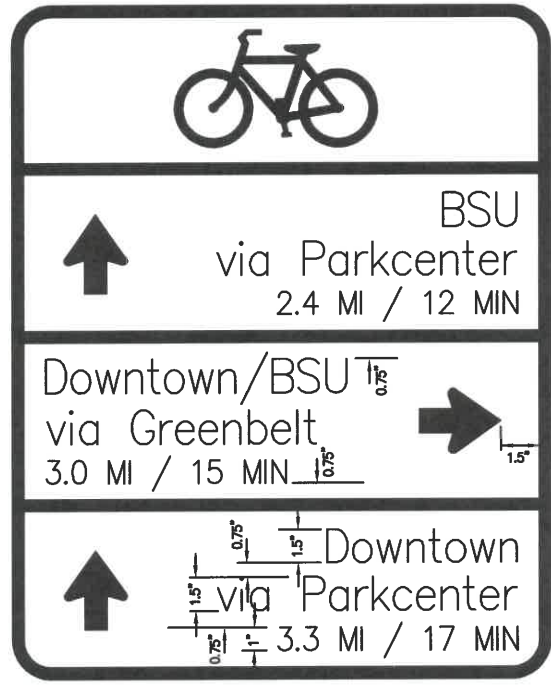
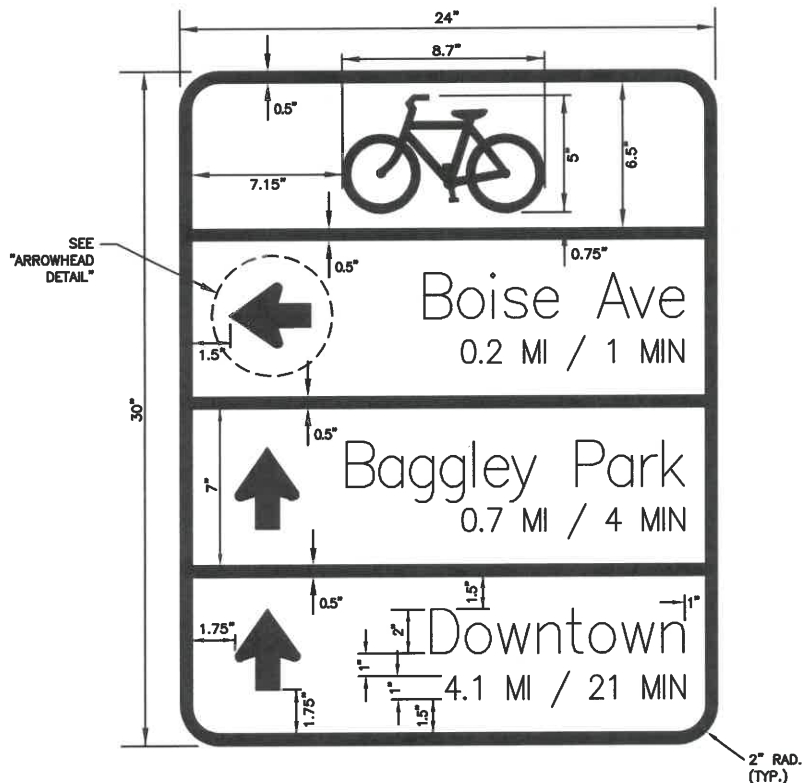
| NO. | DATE | BY | REVISIONS |
|-----|------|----|-----------|
| | | | |
| | | | |
| | | | |



| SIGNATURES | | SHEET TITLE | |
|-------------------------------|--------------------------------|----------------------|--|
| Drawn By: <i>Joshua Shuck</i> | Design By: <i>Joshua Shuck</i> | Special Sign Details | |
| Date: 9/28/11 | Approved By: <i>Ross Oyam</i> | | |



STANDARD DETAIL NO. TS-1115.03



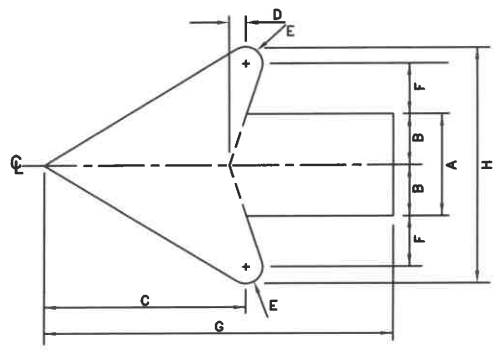
COLORS:
 Border - WHITE
 Legend - WHITE
 Background - GREEN

GUIDANCE:
 BICYCLE WAYFINDING SIGNS ARE USED TO GUIDE CYCLISTS ON ROADWAYS THAT ARE GENERALLY CONDUCTIVE TO ACCOMMODATING BICYCLE TRAFFIC. ROUTES MAY HAVE BIKE LANES, HAVE RELATIVELY LOW TRAFFIC VOLUMES OR USE NEIGHBORHOOD STREETS. TYPICAL DESTINATIONS INCLUDE SCHOOLS, COMMUNITY FACILITIES (SUCH AS PARKS) AND GOVERNMENT BUILDINGS.

NOTES:

- ALL FONTS ARE TO BE FHWA HWY GOTHIC, SERIES B. FHWA HWY GOTHIC, SERIES A, MAY BE USED TO FIT ALL LETTERING IN THE APPROPRIATE SPACE, IF NEEDED.
- FOR BACKGROUND, MATERIAL SHALL BE TYPE III OR TYPE IV HIGH INTENSITY PRISMATIC SHEETING, CONFORMING TO THE MOST RECENTLY ADOPTED VERSION OF ASTM D4956.
- MAX. NUMBER OF LETTERS PER DESTINATION:

ONE LINE OF TEXT: 14
 TWO LINES OF TEXT: 18



ARROWHEAD DETAIL

| DIMENSIONS | | | |
|------------|-------|-------|-------|
| A | B | C | D |
| 1.10" | 0.55" | 2.25" | 0.17" |
| E | F | G | H |
| 0.22" | 0.72" | 3.5" | 3.0" |

1/27/2020

| NO. | DATE | BY | DESCRIPTION |
|-----|------|----|-------------|
| | | | |
| | | | |
| | | | |



| SIGNATURES | |
|----------------------|--------------------------|
| Scale: NTS | Drawn By: Justina Beak |
| Date: 3/5/2019 | Design By: Justina Beak |
| File: TS-1115.04.DWG | Approved By: Steve Oryen |

| SHEET TITLE | |
|--|--|
| Special Sign Details - Bicycle Wayfinding Signs | |



STANDARD DETAIL NO.
TS-1115.04
 Sheet 4 of 4