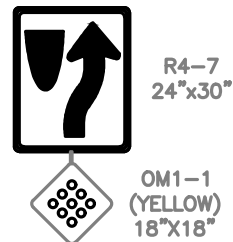
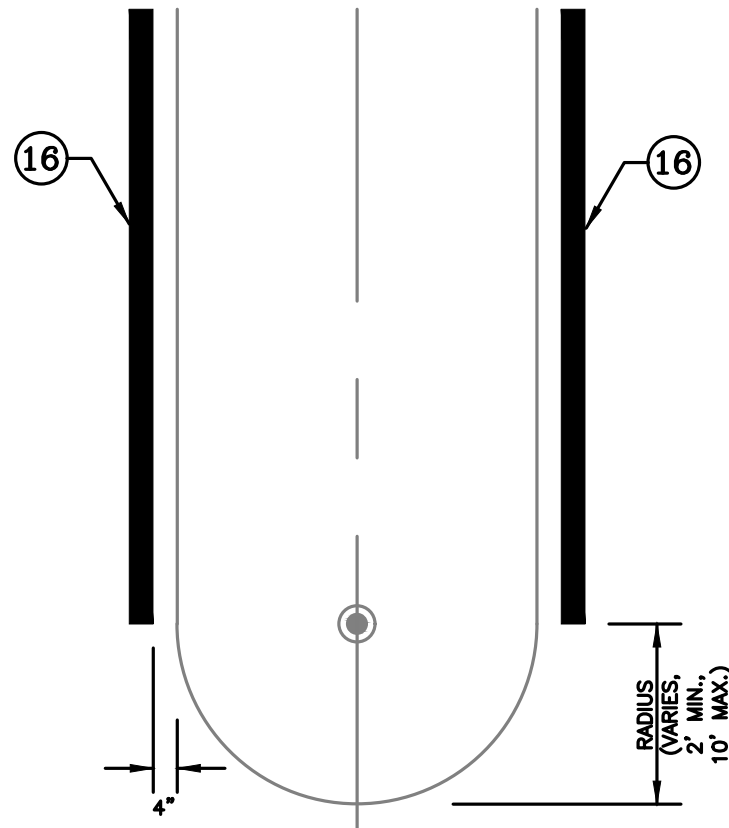
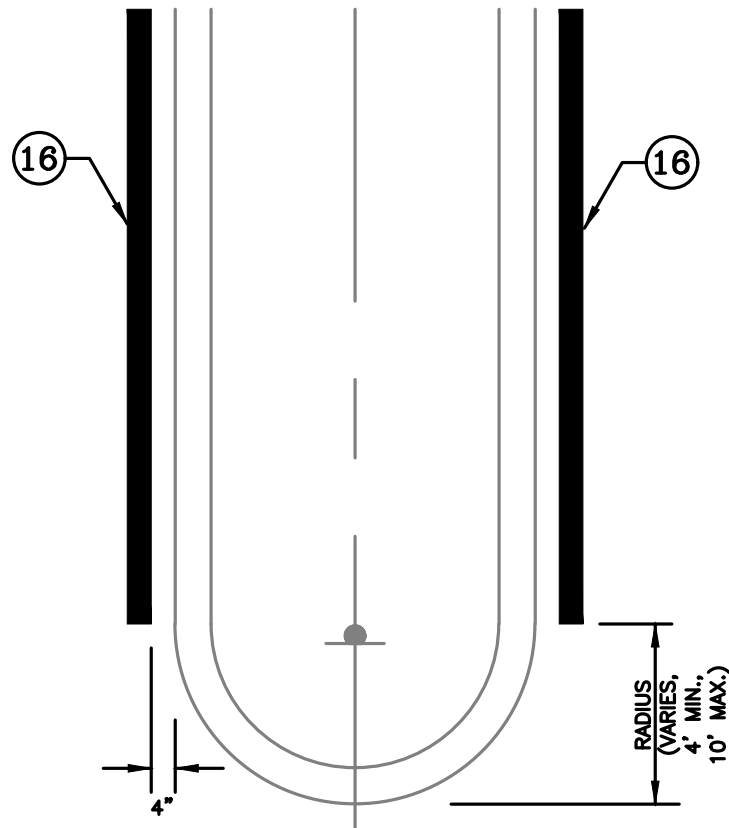


Legend

①⑥ STRIPING DETAIL NUMBER

NOTES:

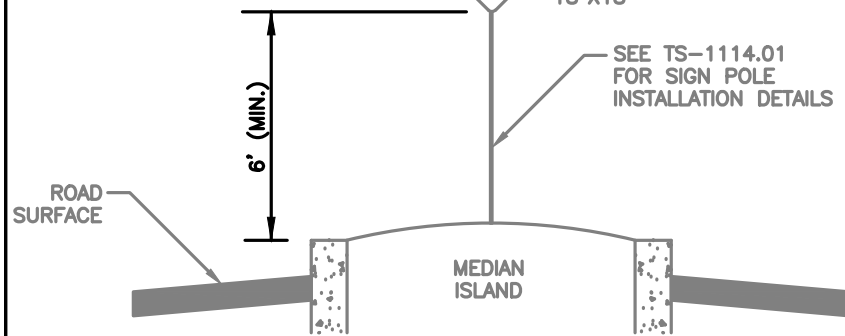
1. MEDIANS THAT DO NOT SEPARATE THE DIRECTION OF TRAVEL MAY REQUIRE WHITE PAINT AND MARKERS. COLORS SHALL BE VERIFIED BY THE ACHD TRAFFIC ENGINEER.
2. 4" YELLOW STRIPES MAY BE OMITTED IF THE MEDIAN ISLAND IS PAINTED WITH REFLECTIVE YELLOW PAINT.
3. SIGN OR CHANNELIZER OFFSET DISTANCE FROM THE MEDIAN NOSE MAY VARY BASED ON SITE SPECIFIC CONDITIONS. REFER TO PLAN SHEETS FOR PRECISE LOCATION.



R4-7
24"x30"

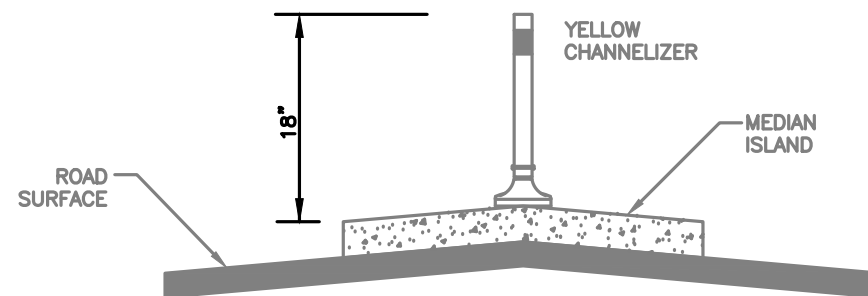
OM1-1
(YELLOW)
18"x18"

SEE TS-1114.01
FOR SIGN POLE
INSTALLATION DETAILS



MEDIAN ISLAND DETAIL

(Signing and striping for median islands 4' wide.)



MEDIAN ISLAND DETAIL

(Signing and striping for median islands between 2' and 4' wide.)

NO.	DATE	BY	DESCRIPTION
1	11/2016	JES	Modified sign height

• REVISIONS •

ACHD
Traffic Engineering Division

• SIGNATURES •	
Scale: NTS	Drawn By: Joshua Seak
Date: 11/29/2016	Design By: Joshua Seak
File: TS-1118.01.DWG	Approved By: Shawn Martin

• SHEET TITLE •	
Standard Median Island Signing and Striping Details	

PROFESSIONAL ENGINEER
STATE OF IDAHO
12842
JOSHUA E. SEAK

• STANDARD DETAIL NO. •
TS-1118.01